

Uniclass L72101:N5352	EPIC H122:Y311
CI/SfB (74.22)	X (U35)

CB/05/2004

CONTOUR

Bathing, showering and changing



Kingkraft
KINGKRAFT

CONTOUR

Bathing, showering and changing

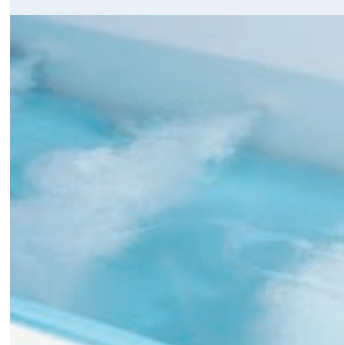


Contour is designed to cater for both independent and assisted bathing. It is longer and deeper than most standard baths and other baths designed to cater for the needs of disabled and less mobile persons. It can accommodate a weight of up to 135 kg (23 stones).

The load bearing fold side has the twin benefits of allowing ambulant users to enter the bath, as well as giving a Carer access for changing and dressing the user. For non-ambulant users, Contour is designed for use with fixed, mobile or ceiling mounted hoist systems. The variable height feature enables the bath to be raised to a comfortable working height, reducing the risk of back strain.

Contour is available in 2 standard sizes, 1700mm and 2000mm. A base and side cushion, along with a choice of backrest or headrest is supplied with the bath as standard and a comprehensive range supports and mouldable vacuum cushions can be used to customise the support provided. Please see our cushions and supports literature for full details.

A combination of supports for the needs of the individual bather is normally determined by demonstration of the bath in the user's home or other convenient location. Kingkraft understand that, over time, the needs of the bather may change and we are available to give advice and supply alternative supports to ensure that the most suitable position for the bather is maintained.

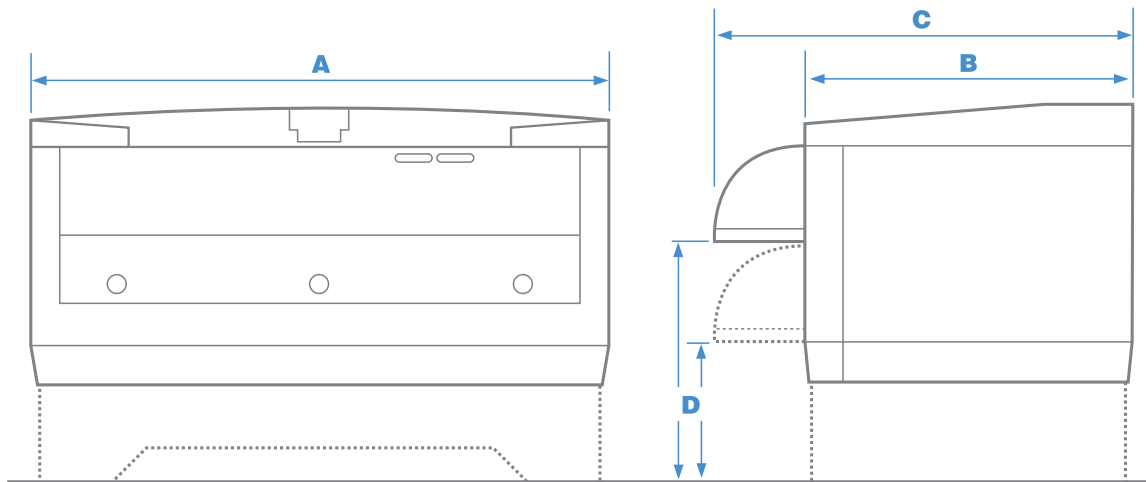


standard features

- Load bearing dropside design
- Raise and lower
- Side and base cushion
- Choice of backrest with cushion
- Integral shower unit
- Fixed temperature thermostatic mixer valves
- Chrome taps and spout
- Left or right handed tap position

additional options

- Whirlpool system
- Wall mounted adjustable mixer valves
- Twin waste
- Custom support systems
- Fixed height model
- Grab handles



Model No.	A Length	B Width side up	C Width side down	D Base Height approx	Internal length	Internal width
1700	1700	835	1125	500-850	1500	640 max.
2000	2000	835	1125	500-850	1800	640 max.

All dimension expressed in millimetres

Maximum Load : 130kg/21st

Kingkraft Customer Care

The following services are offered to make the process of choosing your Kingkraft product as straight forward as possible. Kingkraft Care continues following delivery to ensure the products continue to provide the maximum benefit.

- Product demonstration and assessments
- Bathroom layout design and drawing
- Technical support both prior to order and following delivery
- Product commissioning
- 12 month product warranty (extended warranties available)
- On-going product servicing and preventative maintenance schemes

For full details of these services please contact our customer service department or refer to our product information folder.



Kingkraft Limited, 26D Orgreave Crescent, Dore House Industrial Estate, Sheffield S13 9NQ
 Telephone: 0114 269 0697 Fax: 0114 269 5145 Email: info@kingkraft.co.uk Web: www.kingkraft.co.uk

Due to the process of continuous development we reserve the right to alter specification without notice.